

K J S M L -140 系列玻璃板液位计

KJSML-140 Glass Plate Liquid Level Meter

概述

KJSML-140系列玻璃板液位计主要用于各种受压容器或敞口容器（如塔、罐、槽等）内的液体液位现场直接指示。

原理与结构

KJSML-140系列液位计是基于连通器原理设计的，由玻璃板及液位计主体通过法兰与被测容器相接构成连通器，透过玻璃板可观察到实际液位。液位计主要由玻璃板、表体、压盖、上下阀门和法兰等组成的，由于玻璃板长度固定，所以通过改变玻璃板节数可制成不同规格的液位计。

液位计配套的上下阀门不但起截止阀的作用，而且内置钢球在玻璃板意外破损时起自动关闭作用，防止液体或气体外泄。

参数

1. 安装中心距：500 800 1100 1400 1700mm
2. 工作压力：2.5 4.0 6.4MPa
3. 介质温度：0~250 -40~80
4. 阀门自动关闭：0.2MPa
5. 夹套工作压力：0.6MPa
6. 夹套接口尺寸：G1/2" (M) 可定制
7. 液位计结构尺寸

Overview

KJSML-140 glass plate liquid level meter is mainly used in direct site indication of the liquid level inside various pressure vessels or open vessels (such as tower, tank and groove),

Principle and Structure

KJSML-140 liquid level meter is designed based on the theory of communicating vessels. The communicating vessels formed by the connection of the glass plate and the body of the liquid level meter through the flange and the measured vessel. Through the glass plate, actual liquid level can be observed. The liquid level meter is mainly composed of the glass plate, the meter body, the cover, upper and bottom valves as well as the flange. As the length of the glass plate is fixed, by changing the pitch number of the glass plate, liquid level meters of different specifications can be made.

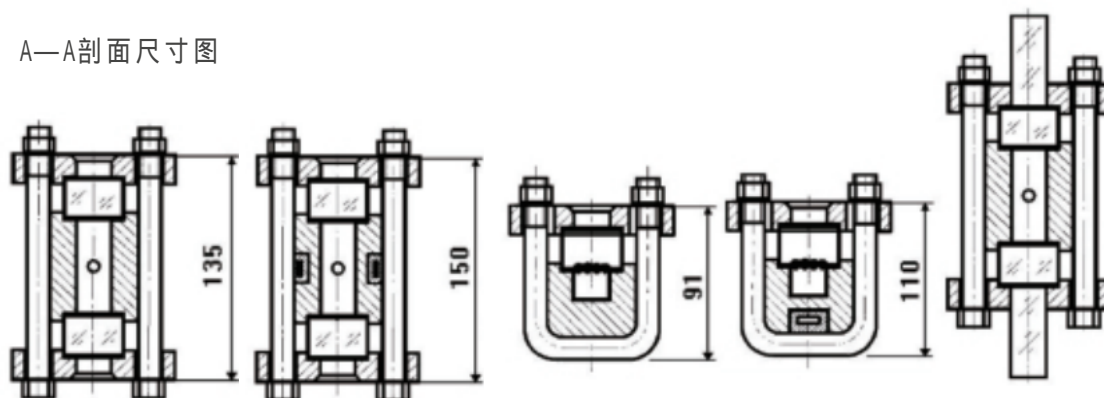
Not only can the matched upper and bottom valves of the liquid level meter play the role of the stop valve, but the inside steel ball can also play the role of closing when the glass plate is damaged accidentally in order to prevent escape of liquid or gas.

Parameters

1. Center distance of installation: 500 800 1100 1400 1700mm
2. Operating pressure: 2.5 4.0 6.4MPa
3. Medium temperature: 0~250 -40~80
4. Self-closing of valve: 0.2MPa
5. Jacket's operating pressure: 0.6MPa
6. Jacket's pipe dimension: G1/2" (M) customized
7. Structure size of liquid level meter



A—A剖面尺寸图



透光式

透光式带夹套

反射式

反射式带夹套

防霜式

KJSML-140系列玻璃板液位计订购信息
 Order Information of KJSML-140 Glass Plate Liquid Level Meter

KJSML-140								
功能类型 Function type								
透光式 Transmitting type	A							
双色透光式 Two-tone transmitting type	B							
反射式 Reflecting type	C							
触液材质 Fluid contacting material								
碳钢 Carbon steel	1							
304	2							
316L	3							
其他特殊材质 Otherspecial materials	Z							
过程连接 Process connection								
固定法兰 Fixed flange		法兰标准 Flange standard						
固定螺纹 Fixed thread		螺纹规格 Flange specification						
其他 Other		Z						
安装方式 Installation method								
侧-侧式 Side-side type				B0				
顶-底式 Top-bottom type				B1				
侧-底式 Side-bottom type				B2				
顶-侧式 Top-side type				B3				
其他 Other				Z				
中心距 Center distance								
工作压力 Operating pressure								
工作温度 Operating temperature								
附件选择 Attachment selection								
无附件 No attachment								0
蒸汽伴热 Steam tracing								1
无盲区 No dead zone								2
防霜 Frost prevention								3
其他 Others								4

KJSML-150系列玻璃管液位计

KJSML-150 Glass Tube Liquid Level Meter

概述

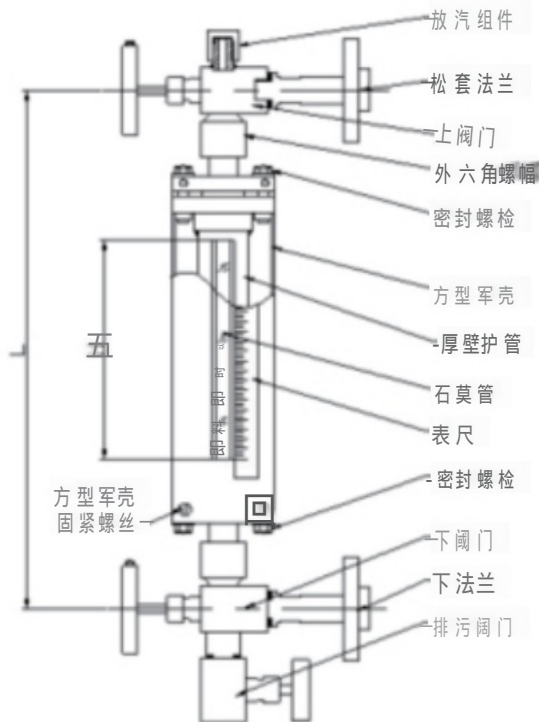
KJSML-150系列石英玻璃管液位计是我公司采用高纯度石英管制造的产品。仪表显示清晰，密封性能好，耐高温、高压、防粘稠，寿命长，冲洗、维护方便，广泛应用于石油、化工、电力、冶金等行业中各种容器及锅炉的液位检测指示。特别适用于无色透明液体的测量指示。

工作原理

仪表上下均装有法兰，通过过程连接与容器构成连通器。透过石英管或玻璃管就可以直接读得容器内介质液位或界位的高度。双色式工作是基于光线在气相与液相介质中的光学透射、反射与折射原理，经过光学系统设计而实现，使气相与液相相比格外分明、清晰，液相呈绿色，气相呈红色，色别反差大，显示一目了然，无盲区。

参数

测量范围：最大允许2500mm
 可视尺寸：法兰中心距-200mm
 工作压力：1.6、2.5、4.0、6.4MPa
 介质温度：-80~450
 显示方式：有单色、双色两种显示方式，仪表观测方向任意可调
 自锁阀：安全阀钢球自动密封压力 0.2MPa
 伴热蒸汽压力：1MPa,接口G1/2" (M)



Overview

KJSML-150 quartz glass tube liquid level meter is the product produced by our company with highly pure quartz tube. It has clear meter display and good sealing property; it can resist high temperature and high pressure as well as prevent thickness; it has long service life and it is easy to maintain. Thus, it is widely used in the liquid level measurement and indication of various vessels and boilers in industries like petroleum, chemical engineering, electricity and metallurgy, especially applicable to the measurement and indication of colorless clear liquid.

Working Principle

Flanges are equipped on both top and bottom of the instrument, which are connected with the vessel to form the communicating vessels through process connection. Through the quartz tube or the glass tube, the height of the medium liquid inside the vessel can be read directly. The two-color type works according to the principles of optical protection, reflection and refraction of light ray in gas and liquid. It is realized through optical system design, which makes the comparison of gas and liquid extremely clear. The liquid phase presents green and gas phase presents red. With large contrast of colors, it seems clear at a glance and there is no dead zone.

Parameters

Measurement range: 2500mm at the maximum
 Visible size: Flange's center distance-200mm
 Operating pressure: 1.6、2.5、4.0、6.4MPa
 Medium temperature: -80~450
 Display mode: solid color and bicolor, the meter's observation direction can be adjusted at will
 Latching valve: Self-sealing pressure of the steel ball inside the safety valve 0.2MPa
 Tracing steam pressure: 1MPa, connector G1/2" (M)

结构特点

1. 除方罩壳外，内部增加了焊接连接的厚壁管护管，使整体更加坚固，确保产品更加安全。
2. 石英管或玻璃管更粗，壁更厚内径更大，高透明，保证了使用安全、观测清晰。
3. 仪表观测方向任意可调。
4. 配自锁阀，当仪表泄漏或玻璃管意外损坏时能自动密封进液。
5. 清洗方便：用铁丝一段系棉团或海绵从上堵塞穿出，反复几次即可。亦可用酸洗或清洗剂清洗。
6. 法兰连接采用松套法兰，更加宽限了中心距。

Structure Features

1. Apart from the square cover, welded connection thick tube is added inside for protection, which makes the whole more solid and confirms the product's safety.
2. The quartz tube or the glass tube is thicker, the wall is thicker, the inner diameter is larger, and it is of high transparency, thus confirming safe usage and clear observation.
3. Arbitrarily adjustable direction of the instrument.
4. It is matched with latching valve, which can automatically seal the feeding liquid when the meter leaks or damages accidentally.
5. Convenient cleaning: Use a section of wire attached with cotton lump or sponge to penetrate upwards. Repeat for several times. It can also be cleaned by acid pickling or cleaning agent.
6. Loose flange is used in flange connection, which better extends the center distance.

KJSM L-150系列玻璃管液位计订购信息
Order Information of KJSML-150 Glass Tube Liquid Level Meter

KJSML-150								
功能类型 Function type 普玻璃管 Ordinary glass tube 石英玻璃管 Quartz glass tube		A	B					
触液材质 Fluid contacting material 碳钢 Carbon steel 304 316L PP 304+PTFE 其他特殊材质 Other special materials		1	2	3	4	5	Z	
过程连接 Process connection 固定法兰 Fixed flange 固定螺纹 Fixed thread 其他 Other		法兰标准 Flange standard 螺纹规格 Flange specification Z						
安装方式 Installation method 侧-侧式 Side-side type 顶-底式 Top-bottom type 侧-底式 Side-bottom type 顶-侧式 Top-side type 其他 Other						B0	B1	B2
						B3	Z	
中心距 Center distance								
工作压力 Operating pressure								
工作温度 Operating temperature								
附件选择 Attachment selection 无附件 No attachment 蒸汽伴热 Steam tracing 无盲区 No dead zone 其他 Others								0 1 2 3